



NIKKEN ROTARY TABLES



HIGH
ACCURACY



INCREASED
PRODUCTION



TROUBLE-FREE
LONG LIFE

TABLE OF CONTENTS

NIKKEN ROTARY TABLE FEATURES.....	Page 3
NIKKEN ROTARY TABLE LINEUP	Pages 4-5
HORIZONTAL APPLICATION.....	Page 6
WORKHOLDING.....	Page 7
DN SOLUTIONS ROTARY TABLE MATRIX.....	Pages 8-9
ROTARY TABLE SPECIFICATIONS	
CNC180, 202, 260.....	Pages 10-11
CNC302, 321, 401.....	Pages 12-13
NCT200, 200E	Pages 14-15
5AX-130, 201	Pages 16-17
5AX-250, 350.....	Pages 18-19
CNC260T, 321T	Pages 20-21
CNC401T, 601T	Pages 22-23
ROTARY TABLE ACCESSORIES.....	Page 24
SERVICE AND REPAIR.....	Page 25
ROTARY TABLE CHECK-UP PROGRAM	Page 26
SK COLLET CHUCKS.....	Page 27



DN SOLUTIONS AND LYNDEx-NIKKEN

Lyndex-Nikken products seamlessly integrate with DN Solutions machining centers, allowing you to reduce cycle times and achieve maximum efficiency. We are working hand-in-hand with DN Solutions engineers and continuing to find new ways to maximize your manufacturing capability.

NIKKEN ROTARY TABLE FEATURES



1. Worm Wheel - The fine pitch of the NIKKEN worm wheel contributes to 4 arc second repeatability. NIKKEN's unique construction shrink fits the worm wheel onto the solid faceplate and quill body.

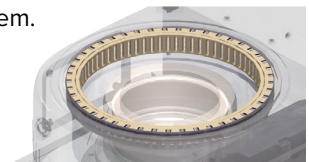
The NIKKEN worm wheel and screw system in conjunction with the tables higher speed rates create a hydro-static high pressure oil film, virtually eliminating the wear between the gears.

2. Worm Screw - The NIKKEN worm screw is a combination of special hardened steel and custom made carbide. As a consequence, and ultimately a benefit, friction between the screw and worm wheel is eliminated. The thread ground carbide worm gear and honed steel worm wheel are hand matched and paired to maintain maximum thread engagement and rotation accuracy (this also adds to the rigidity overall).

3. Casting - NIKKEN Rotary Tables utilize fine grain high-density Grey Cast Iron. These castings offer long-term stability, low distortion with high strength and rigidity. The castings are rough machined, after which a period of 30 days is allowed for the casting to stabilize before the rotary table is prepared for and put through the finish machining process.

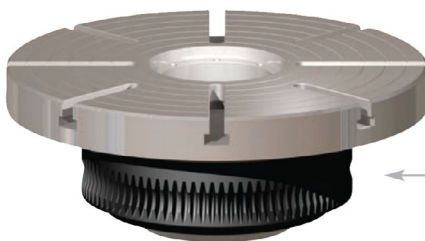
4. Faceplate - Our design features a much shorter distance from the faceplate to the gear. This means that greater torsional forces can be sustained. Braking is applied directly to the spindle which is of a mono block construction incorporating the faceplate, adding greater rigidity overall.

5. Radial Bearing System - Located directly under the edge of faceplate is the Radial Bearing System. This position maximizes load distribution. We also incorporate a Teflon seal in lieu of an 'O' Ring. The bearings are hand picked and matched (in increments of 1 micron) between rotary table and faceplate assembly, insuring the utmost rotation accuracy and elimination of unnecessary movement between the two parts.



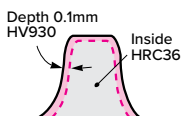
LYNDEX-NIKKEN

Nikken's unique design shrink fits the worm wheel onto the solid faceplate and quill body. This along with the hand pairing of the carbide worm screw eliminates backlash.



A much shorter distance from face plate to gear allows for greater torsional forces to be sustained.

The fine pitch of the worm wheel contributes to 4 arc second repeatability.



The material used for the Nikken worm wheel is custom made steel, specially hardened and ion nitrided on the teeth. As a consequence, frictions between the gears are eliminated.

OTHER BRANDS

Bolt-on bronze wheel to a two-piece faceplate and quill design. Configuration relies on the malleability of the worm wheel to deform around the shape of the worm screw to eliminate backlash.



Bolt-on faceplate to quill base.

Soft worm wheels wear much quicker, resulting in indexing inaccuracies and unnecessary maintenance.

NIKKEN ROTARY TABLE LINEUP

CNC ROTARY TABLES



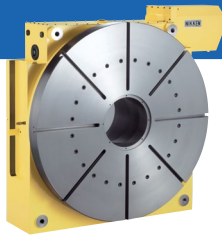
COMPACT

CNC105, 180, 202



STANDARD

CNC260, 302, 321, 401,
501, 601, 803, 1003



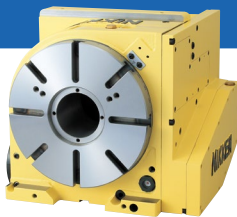
LARGE

CNC1000, 1200,
1201, 1600



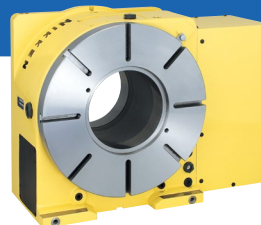
TOP SIDE MOTOR MOUNTED

CNC202T, 260T, 302T,
321T, 401T, 501T, 601T



BACK SIDE MOTOR MOUNTED

CNC180B, 202B, 260B,
302B, 321B, 401B



BIG BORE

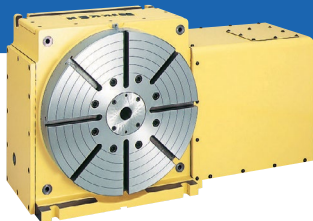
CNCB350, B450, B630



MULTI-SPINDLE

CNC100-2W, 3W, 4W,
180-2W, 202-2W, 260-2W

NSV ULTRA PRECISION ROTARY HIRTH COUPLING INDEX



HIRTH COUPLING INDEX

NSVZ180, 300
NSVX400, 400T, 500

NCT ROTARY TABLES



COMPACT

NEW NCT200, NCT200E

5AX TILTING ROTARY TABLES



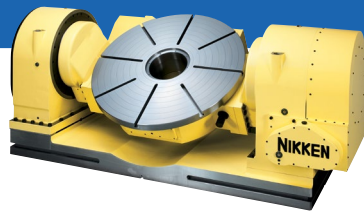
COMPACT

NEW 5AX-100, 130, 201



STANDARD

5AX-230, 250, 350, 550



LARGE

5AX-800, 1200

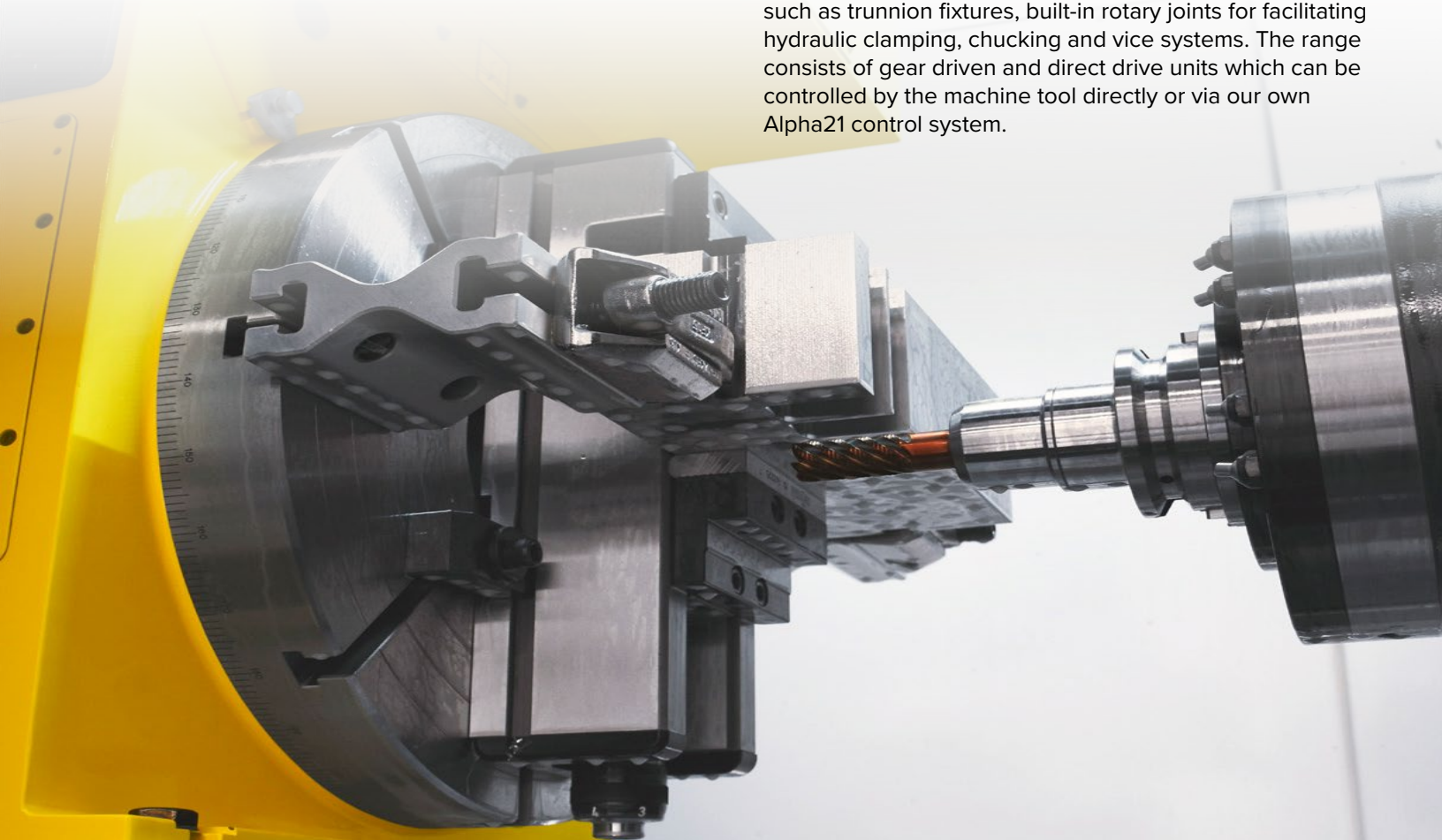


MULTI-SPINDLE

5AX-2MT-105, 4MT-105

NIKKEN NC TABLES offer unrivaled quality and performance by optimizing production and can be configured for all types of machining centers.

NIKKEN offers a wide range of 4th and 5th axis tables that can be easily configured to a variety of workholding solutions such as trunnion fixtures, built-in rotary joints for facilitating hydraulic clamping, chucking and vice systems. The range consists of gear driven and direct drive units which can be controlled by the machine tool directly or via our own Alpha21 control system.



HORIZONTAL APPLICATION

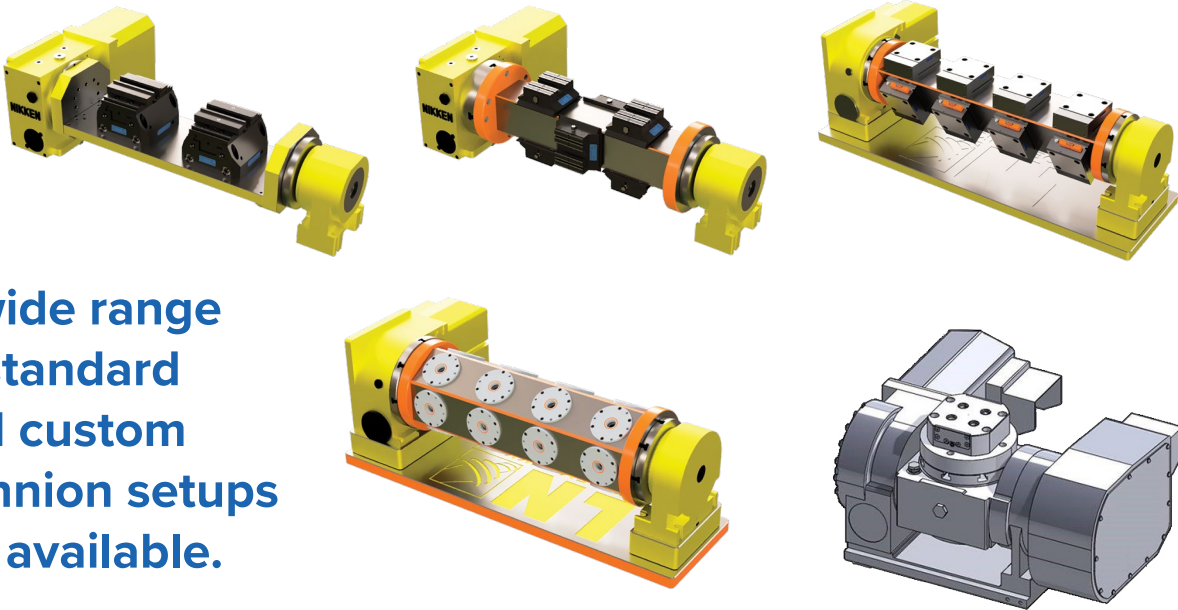
Lyndex-Nikken is pleased to offer Top Mount rotary tables with optional swing box and cable management.



TOOLING PACKAGES ARE AVAILABLE

Call us for options to get the most out of your DN Solutions CNC Machining Center. Standard and Advanced Tooling Packages are available.





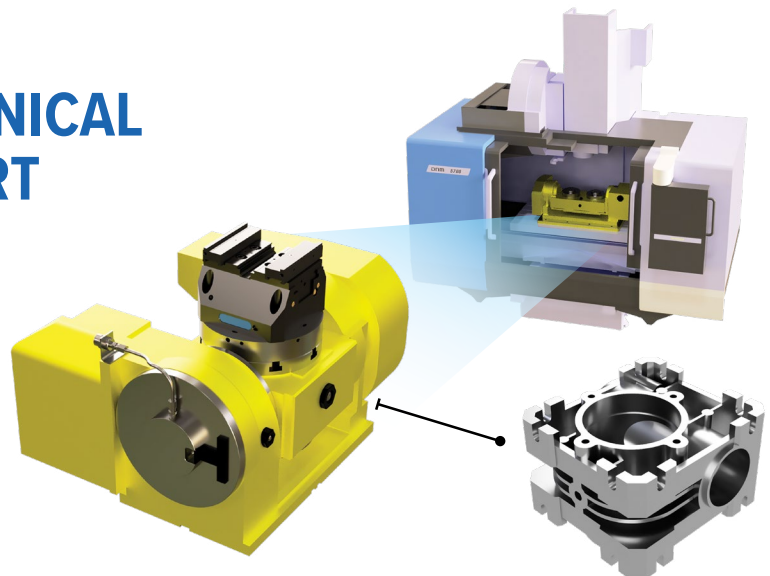
A wide range of standard and custom trunnion setups are available.

WORKHOLDING PARTNERS:
















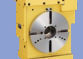




LYNDX-NIKKEN TECHNICAL ENGINEERING SUPPORT

- 2-D and 3-D modeling support for clearance verification
- 3-D model support for programming integration
- Image rendering for proposals



DN SOLUTIONS ROTARY TABLE MATRIX

Machine	DMP500/ 2SP	DMV4020	DNM4000	DNM400II	DNM4500	DNM4500-S	DNM500	DNM500II	DNM5700	DNM6700	DNM750	DNM750L
 CNCZ105	—	—	✓	—	✓	—	—	—	—	—	—	—
 CNC180/202	✓	✓	✓	—	✓	✓	—	✓	✓	—	✓	—
 CNC260/302	✓	—	✓	—	✓	✓	—	✓	✓	✓	✓	—
 CNC321/401	—	—	—	—	—	—	—	—	✓	✓	✓	—
 CNC501/601	—	—	—	—	—	—	—	—	—	—	—	—
 CNC803	—	—	—	—	—	—	—	—	—	—	—	—
 5AX-100	—	—	✓	—	✓	✓	—	—	—	—	—	—
 5AX-130	—	—	✓	✓	✓	✓	—	—	✓	✓	✓	—
 5AX-201	—	—	✓	—	✓	✓	—	—	✓	✓	✓	—
 5AX-200II	—	—	—	—	—	—	—	✓	✓	✓	✓	—
 5AX-250	—	—	—	—	—	—	—	—	—	✓	✓	—
 5AX-350	—	—	—	—	—	—	—	—	—	✓	✓	—
 CNC180-2W	✓	—	—	—	—	—	—	—	—	—	—	—
 CNC260-2W	✓	—	—	—	—	—	—	—	—	—	—	—
 CNC-202T	—	—	—	—	—	—	—	—	—	—	—	—
 CNC260T/302	—	—	—	—	—	—	—	—	—	—	—	—
 CNC321/401T	—	—	—	—	—	—	—	—	—	—	—	—
 CNC601T	—	—	—	—	—	—	—	—	—	—	—	—



*For left hand mount motor style, back mount motor style, multi-spindle units, and interfaces for Fanuc controllers please contact us.

ROTARY TABLE SPECIFICATIONS

CNC180FA-M



Faceplate Diameter:	7.09" (180mm)
Brake System:	AIR
Brake Torque:	223.5 ft. lbs. (303 Nm)
Min. Increment:	0.001°
Rotation Speed (RPM):	22.2
Total Reduction Ratio:	1/90
Indexing Accuracy (sec.):	±20
Net Weight:	99 lbs. (44.9 kg.)
Driving Torque:	53 ft. lbs. (71.9 Nm)
Repeatability (Arc sec.):	±4

- Compact design allows better utilization of machine work envelope
- High clamping force for aggressive machining
- Hardened gears eliminates constant backlash adjustment
- High speed (44.4 RPM) available upon request
- Large ID hole with H7 tolerance allows for accurate fixture repeatability

CNC202FA-M



Faceplate Diameter:	7.87" (200mm)
Brake System:	AIR
Brake Torque:	223.5 ft. lbs. (303 Nm)
Min. Increment:	0.001°
Rotation Speed (RPM):	22.2
Total Reduction Ratio:	1/90
Indexing Accuracy (sec.):	±20
Net Weight:	121 lbs. (54.9 kg.)
Driving Torque:	106 ft. lbs. (143.7 Nm)
Repeatability (Arc sec.):	±4

- Compact design allows better utilization of machine work envelope
- High clamping force for aggressive machining
- Hardened gears eliminates constant backlash adjustment
- High speed (44.4 RPM) available upon request
- Large ID hole with H7 tolerance allows for accurate fixture repeatability

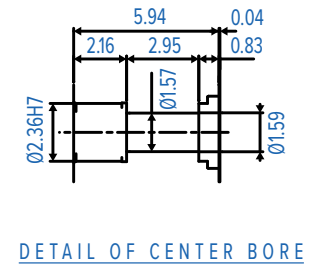
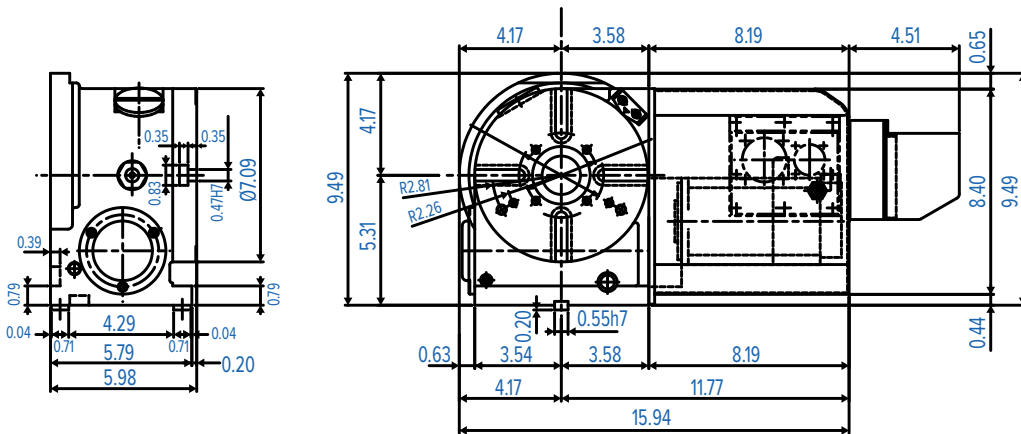
CNC260PFA-M



Faceplate Diameter:	10.24" (260mm)
Brake System:	AIR
Brake Torque:	1,054 ft. lbs. (1,429 Nm)
Min. Increment:	0.001°
Rotation Speed (RPM):	16.6
Total Reduction Ratio:	1/120
Indexing Accuracy (sec.):	20
Net Weight:	253 lbs. (114.8 kg.)
Driving Torque:	141.6 ft. lbs. (192 Nm)
Repeatability (Arc sec.):	±4

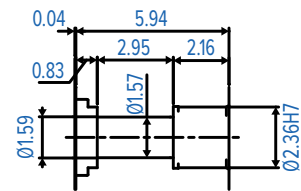
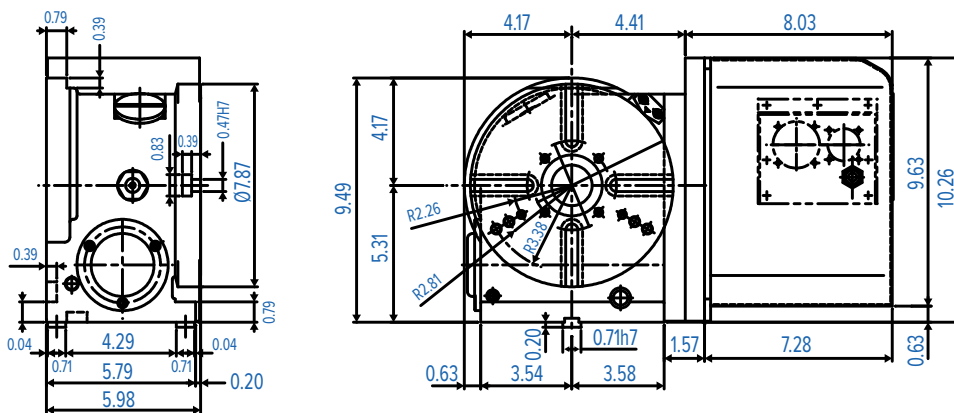
- Highest weight load capacity in its class
- New generation air brake system allows for superior clamping force
- Large offering of support tailstocks and support tables for all fixturing requirements
- Highest accuracy and repeatability for true positioning

CNC180FA-M



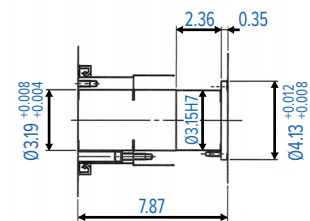
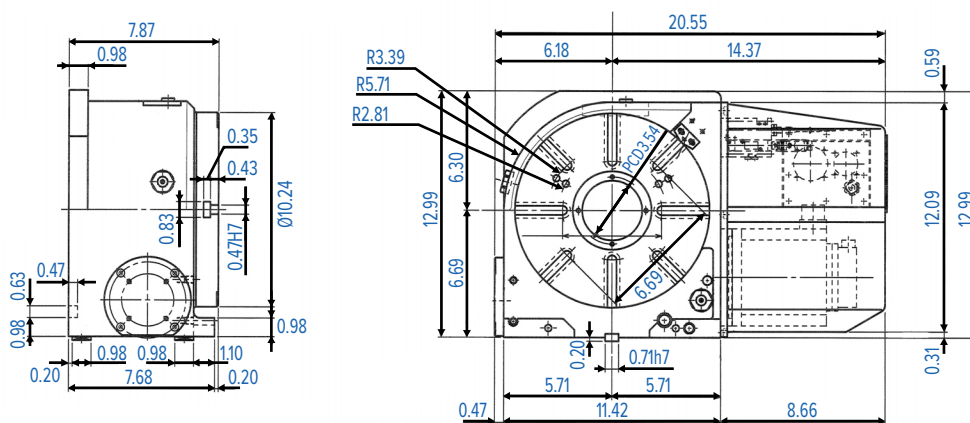
DETAIL OF CENTER BORE

CNC202FA-M



DETAIL OF CENTER BORE

CNC260PFA-M



DETAIL OF CENTER BORE

Please contact Lyndex-Nikken to confirm DN Solutions / Nikken Rotary Table working envelope. Drawings are subject to change.

ROTARY TABLE SPECIFICATIONS

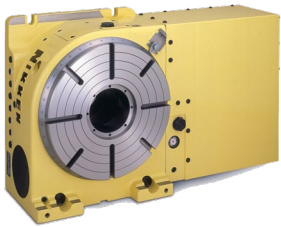
CNC302PFA-M



Faceplate Diameter:	11.8" (300mm)
Brake System:	AIR
Brake Torque:	1,054 ft. lbs. (1,429 Nm)
Min. Increment:	0.001°
Rotation Speed (RPM):	16.6
Total Reduction Ratio:	1/120
Indexing Accuracy (sec.):	20
Net Weight:	264 lbs. (119.7 kg.)
Driving Torque:	141.6 ft. lbs. (192 Nm)
Repeatability (Arc sec.):	±4

- Highest weight load capacity in its class
- New generation air brake system allows for superior clamping force
- Large offering of support tailstocks and support tables for all fixturing requirements
- Highest accuracy and repeatability for true positioning

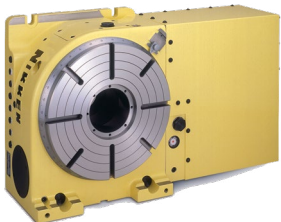
CNC321FA-M



Faceplate Diameter:	12.6" (321mm)
Brake System:	AIR / HYDRAULIC
Brake Torque:	1,298 ft. lbs. (1,759.9 Nm)
Min. Increment:	0.001°
Rotation Speed (RPM):	22.2
Total Reduction Ratio:	1/90
Indexing Accuracy (sec.):	15
Net Weight:	441 lbs. (200 kg.)
Driving Torque:	318 ft. lbs. (431.2 Nm)
Repeatability (Arc sec.):	±4

- The rotary table can be used vertically or horizontally depending on the application
- 4" through-hole
- Suitable for indexing and rotational milling on a wide variety of work pieces
- Strong hydraulic break allows for high braking torque

CNC401FA-M

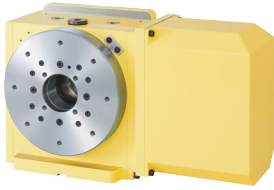


Faceplate Diameter:	15.8" (401mm)
Brake System:	AIR / HYDRAULIC
Brake Torque:	1,298 ft. lbs. (1,759.9 Nm)
Min. Increment:	0.001°
Rotation Speed (RPM):	22.2
Total Reduction Ratio:	1/90
Indexing Accuracy (sec.):	15
Net Weight:	496 lbs. (225 kg.)
Driving Torque:	318 ft. lbs. (431.2 Nm)
Repeatability (Arc sec.):	±4

- 4" through-hole
- Tubular bearings mounted directly under the edge of the faceplate absorb shock and dampen vibration

ROTARY TABLE SPECIFICATIONS

NCT200



Faceplate Diameter:	7.87" (200 mm)
Brake System:	AIR
Brake Torque:	663 ft. lbs. (898.9 Nm)
Min. Increment:	0.001°
Rotation Speed (RPM):	33.3
Total Reduction Ratio:	1/90
Indexing Accuracy (sec.):	±20
Net Weight:	143 lbs. (64.9 kg.)
Driving Torque:	111 ft. lbs. (150.5 Nm)
Repeatability (Arc sec.):	±4

- High clamping torque in a compact footprint
- Advanced clamping system enables reliable indexing accuracy, repeatability, and exceptional braking force
- High rigidity of new drive system ensures long-term accuracy and precision
- High speed Z Type rotary table is also available to reduce cycle time and enhance productivity
- Customization is available for face plates, rotary joints, angular plates, and support tables

NCT200E (without faceplate)

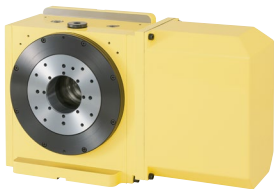
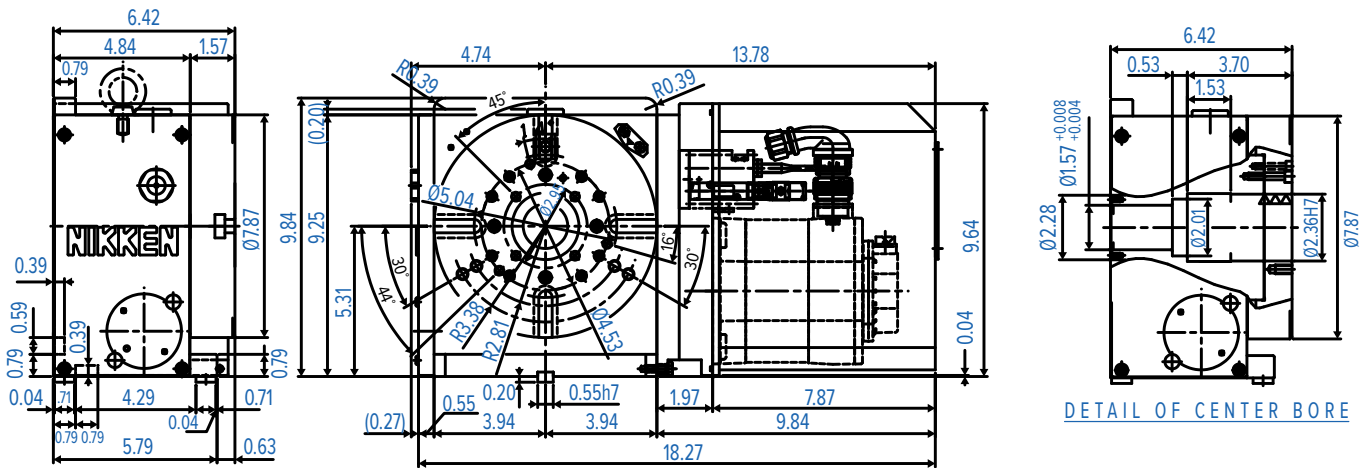


Photo: NCT200EFA

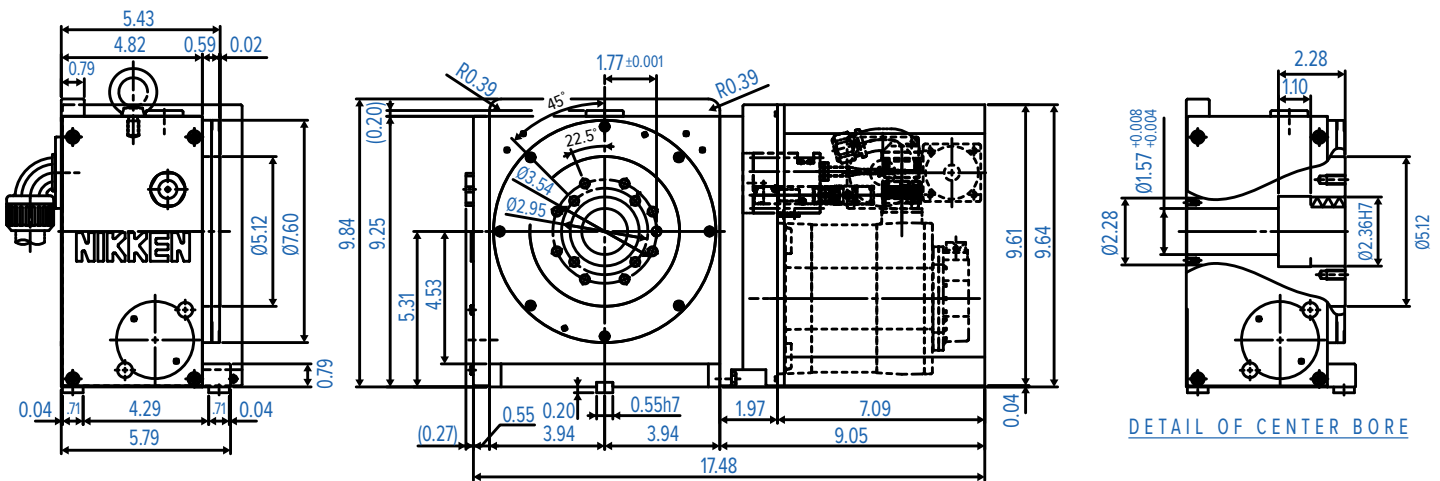
Diameter:	5.12" (130 mm)
Brake System:	AIR
Brake Torque:	663 ft. lbs. (898.9 Nm)
Min. Increment:	0.001°
Rotation Speed (RPM):	33.3
Total Reduction Ratio:	1/90
Indexing Accuracy (sec.):	±20
Net Weight:	137 lbs. (62 kg.)
Driving Torque:	111 ft. lbs. (150.5 Nm)
Repeatability (Arc sec.):	±4

- High clamping torque in a compact footprint
- Advanced clamping system enables reliable indexing accuracy, repeatability, and exceptional braking force
- High rigidity of new drive system ensures long-term accuracy and precision
- High speed Z Type rotary table is also available to reduce cycle time and enhance productivity
- Customization is available for face plates, rotary joints, angular plates, and support tables

NCT200



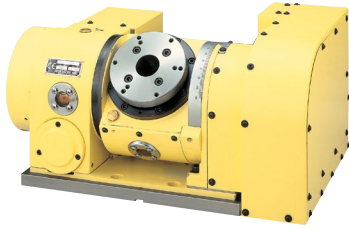
NCT200E (without faceplate)



Please contact Lyndex-Nikken to confirm DN Solutions / Nikken Rotary Table working envelope. Drawings are subject to change.

ROTARY TABLE SPECIFICATIONS

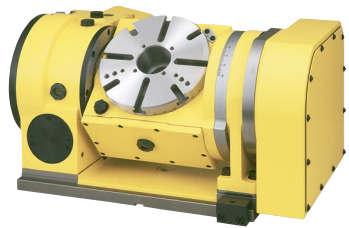
5AX-130FA-M



Faceplate Diameter:	4.13" (105mm)
Brake System:	AIR
Brake Torque:	Rotary: 151 ft. lbs. (204.7 Nm) Tilting: 223.5 ft. lbs. (303 Nm)
Min. Increment:	0.001°
Rotation Speed (RPM):	Rotary: 22.2 Tilting: 11.1
Total Reduction Ratio:	Rotary: 1/90 Tilting: 1/180
Indexing Accuracy (sec.):	Rotary: ±30 Tilting: 60
Net Weight:	219.3 lbs. (99.5 kg.)
Driving Torque:	53 ft. lbs. (71.9 Nm)
Repeatability (Arc sec.):	Rotary: ±4 Tilting: ±6

- Significant cost reduction by eliminating multiple set ups
- Compact design leaves majority of machine table open for multiple vises
- High accuracy for true positioning parts (repeatable within 4 arc seconds)
- Full contouring machining capability
- Highest clamping force within its class

5AX-201FA-M

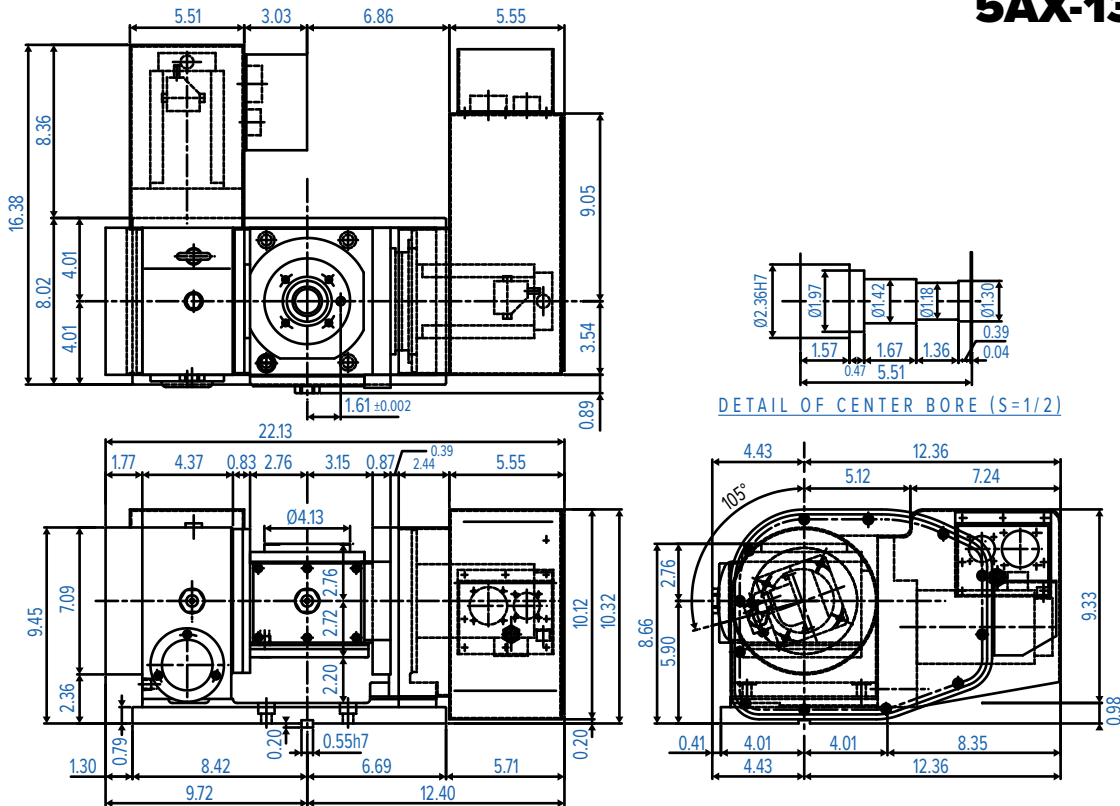


Hydraulic brake for additional clamping force is available upon request. Please contact us for more information.

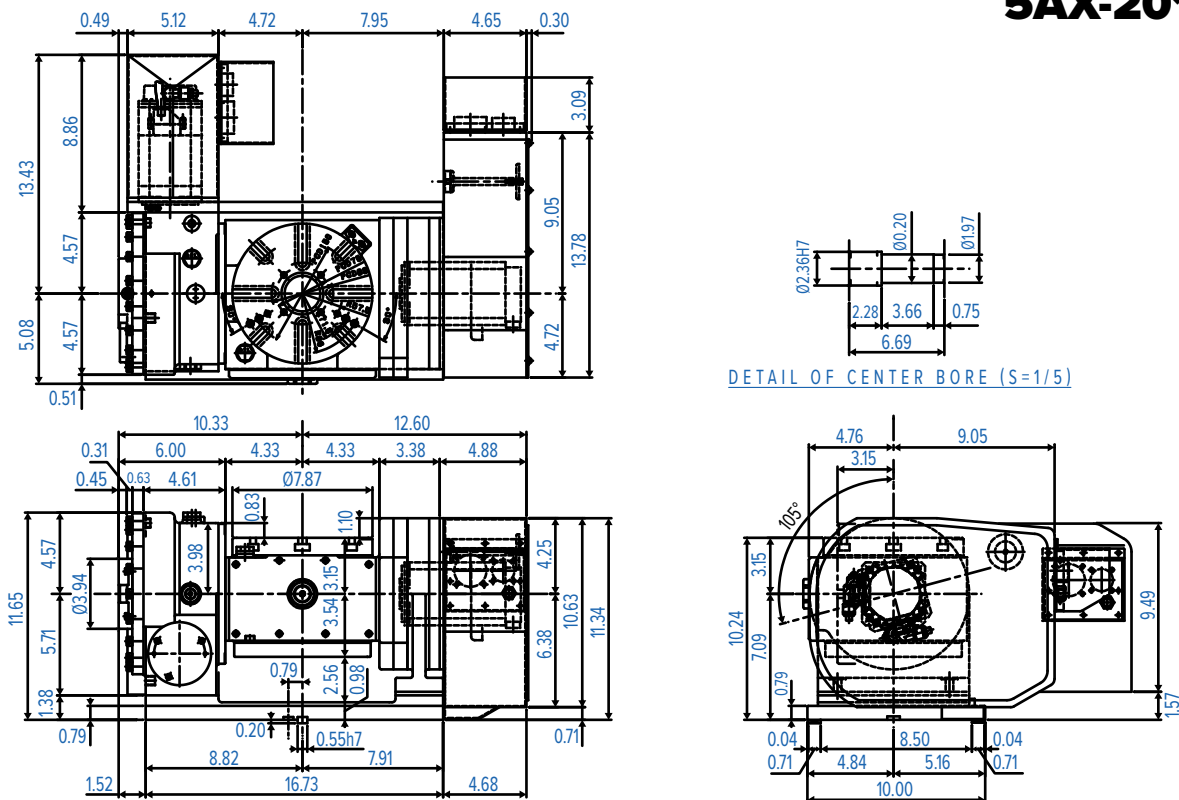
Faceplate Diameter:	7.87" (200mm)
Brake System:	AIR
Brake Torque:	Rotary: 223.5 ft. lbs. (303 Nm) Tilting: 223.5 ft. lbs. (303 Nm)
Min. Increment:	0.001°
Rotation Speed (RPM):	Rotary: 22.2 Tilting: 16.6
Total Reduction Ratio:	Rotary: 1/90 Tilting: 1/120
Indexing Accuracy (sec.):	Rotary: ±15 Tilting: 60
Net Weight:	352.7 lbs. (160 kg.)
Driving Torque:	53 ft. lbs. (71.9 Nm)
Repeatability (Arc sec.):	Rotary: ±4 Tilting: ±6

- Compact design with powerful clamping
- Low profile of the trunnion provides greater work space for large or long parts
- Large ID hole with H7 tolerance allows for accurate fixture repeatability
- Full contouring machining capability

5AX-130FA-M



5AX-201FA-M



Please contact Lyndex-Nikken to confirm DN Solutions / Nikken Rotary Table working envelope. Drawings are subject to change.

ROTARY TABLE SPECIFICATIONS

5AX-250FA-M



Faceplate Diameter:	9.8" (250mm)
Brake System:	HYDRAULIC
Brake Torque:	Rotary: 433.6 ft. lbs. (587.9 Nm) Tilting: 361.3 ft. lbs. (489.9 Nm)
Min. Increment:	0.001°
Rotation Speed (RPM):	Rotary: 22.2 Tilting: 11.1
Total Reduction Ratio:	Rotary: 1/90 Tilting: 1/180
Indexing Accuracy (sec.):	Rotary: 20 Tilting: 60
Net Weight:	639.3 lbs. (290 kg)
Driving Torque:	106.2 ft. lbs. (144 Nm)
Repeatability (Arc sec.):	Rotary: ±4 Tilting: ±6

- Significant cost reduction by eliminating multiple set ups
- Improve parts quality and maximize productivity
- Full contouring machining capability
- Highest clamping force within its class

5AX-350FA-M



Faceplate Diameter:	13.78" (350mm)
Brake System:	HYDRAULIC
Brake Torque:	Rotary: 1,156.3 ft. lbs. (1,567.7 Nm) Tilting: 1,156.3 ft. lbs. (1,567.7 Nm)
Min. Increment:	0.001°
Rotation Speed (RPM):	Rotary: 22.2 Tilting: 22.2
Total Reduction Ratio:	Rotary: 1/90 Tilting: 1/90
Indexing Accuracy (sec.):	Rotary: 20 Tilting: 60
Net Weight:	926 lbs. (420 kg.)
Driving Torque:	212.4 ft. lbs. (288 kg.)
Repeatability (Arc sec.):	Rotary: ±4 Tilting: ±6

- Significant cost reduction by eliminating multiple set ups
- Improve parts quality and maximize productivity
- Full contouring machining capability
- Highest clamping force within its class

ROTARY TABLE SPECIFICATIONS

CNC260TFA-M



Faceplate Diameter:	10/12" (260/304mm)
Brake System:	AIR
Brake Torque:	433.6 ft. lbs. (587.9 Nm)
Min. Increment:	0.001°
Rotation Speed (RPM):	16.6
Total Reduction Ratio:	1/120
Indexing Accuracy (sec.):	20
Net Weight:	353 lbs. (160.1 kg.)
Driving Torque:	141.6 ft. lbs. (192 Nm)
Repeatability (Arc sec.):	±4

- Swing box application available for installation onto Horizontal M/C
- To avoid interference, the drive motor is mounted on the top side of the table for horizontal machines and special purpose applications

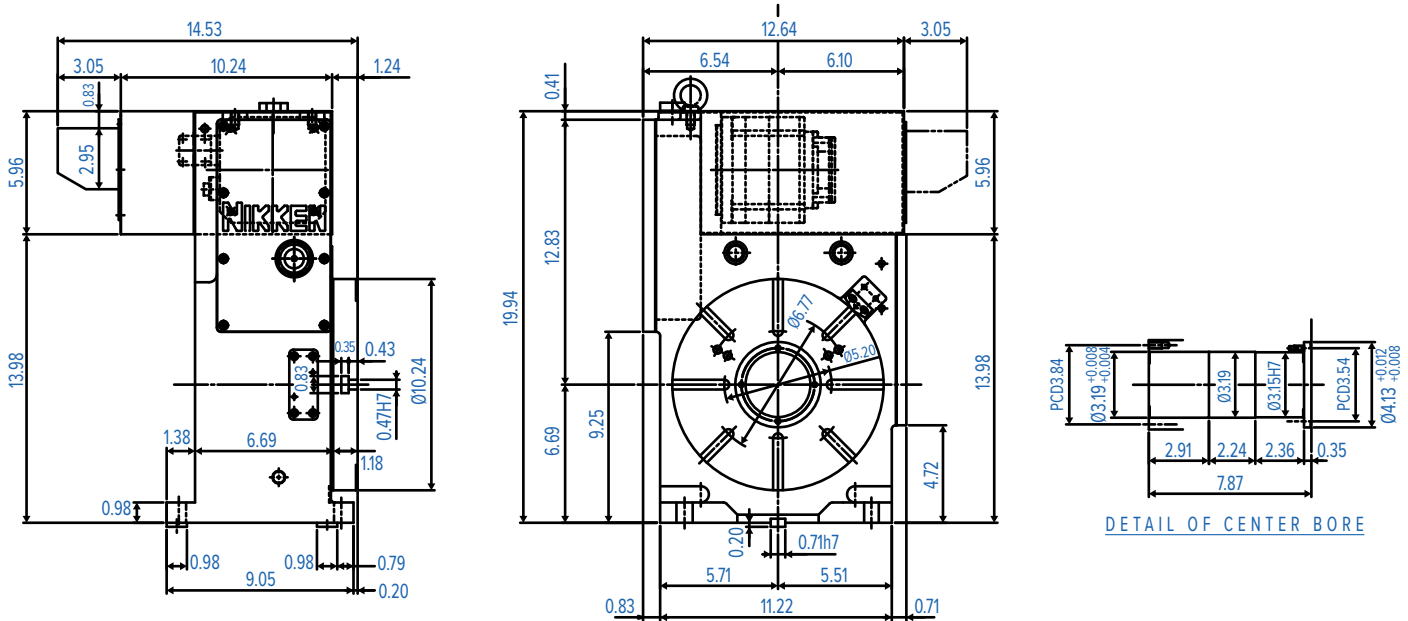
CNC321TFA-M



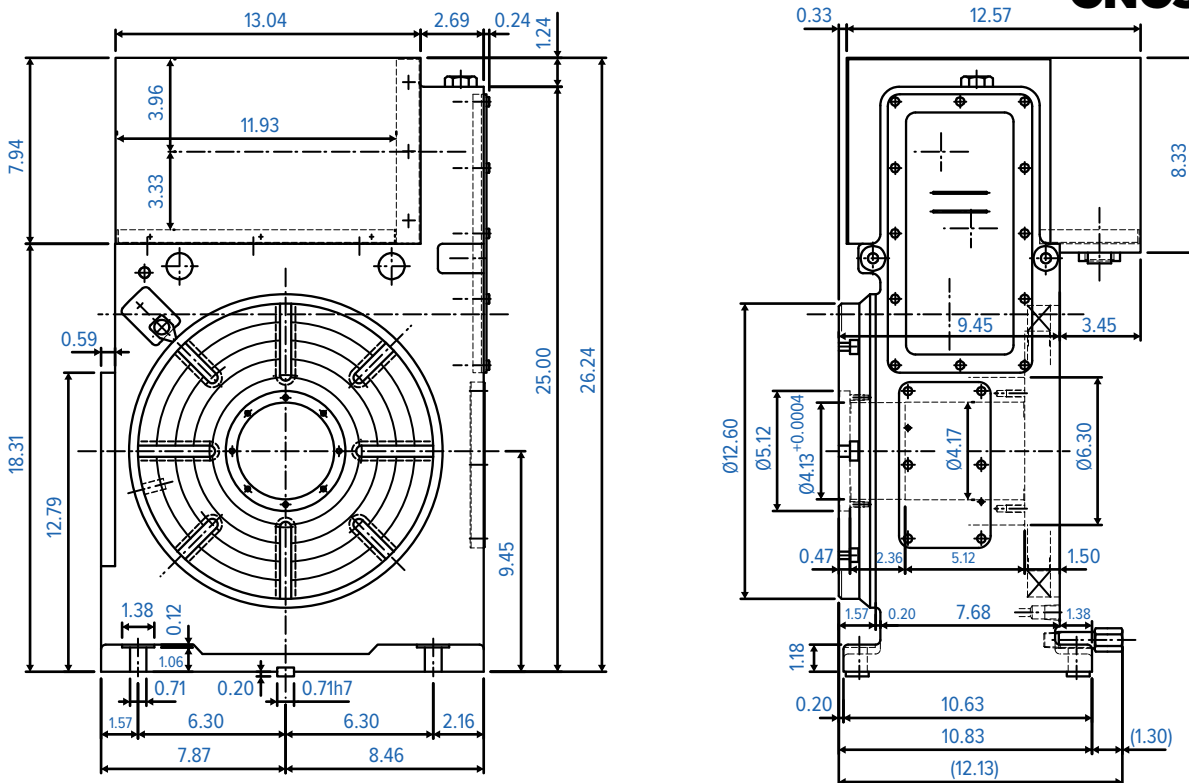
Faceplate Diameter:	12.6" (321mm)
Brake System:	HYDRAULIC
Brake Torque:	1,298 ft. lbs. (1,759.9 Nm)
Min. Increment:	0.001°
Rotation Speed (RPM):	22.2
Total Reduction Ratio:	1/120
Indexing Accuracy (sec.):	15
Net Weight:	485 lbs. (220 kg.)
Driving Torque:	424.8 ft. lbs. (576 Nm)
Repeatability (Arc sec.):	±4

- Swing box application available for installation onto Horizontal M/C
- To avoid interference, the drive motor is mounted on the top side of the table for horizontal machines and special purpose applications

CNC260TFA-M



CNC321TFA-M



Please contact Lyndex-Nikken to confirm DN Solutions / Nikken Rotary Table working envelope. Drawings are subject to change.

ROTARY TABLE SPECIFICATIONS

CNC401TFA-M



Faceplate Diameter:	15.8" (401mm)
Brake System:	AIR / HYDRAULIC
Brake Torque:	1,298 ft. lbs. (1,759.9 Nm)
Min. Increment:	0.001°
Rotation Speed (RPM):	22.2
Total Reduction Ratio:	1/120
Indexing Accuracy (sec.):	15
Net Weight:	540 lbs. (244.9 kg.)
Driving Torque:	424.8 ft. lbs. (576 Nm)
Repeatability (Arc sec.):	±4

- Swing box application available for installation onto Horizontal M/C
- To avoid interference, the drive motor is mounted on the top side of the table for horizontal machines and special purpose applications

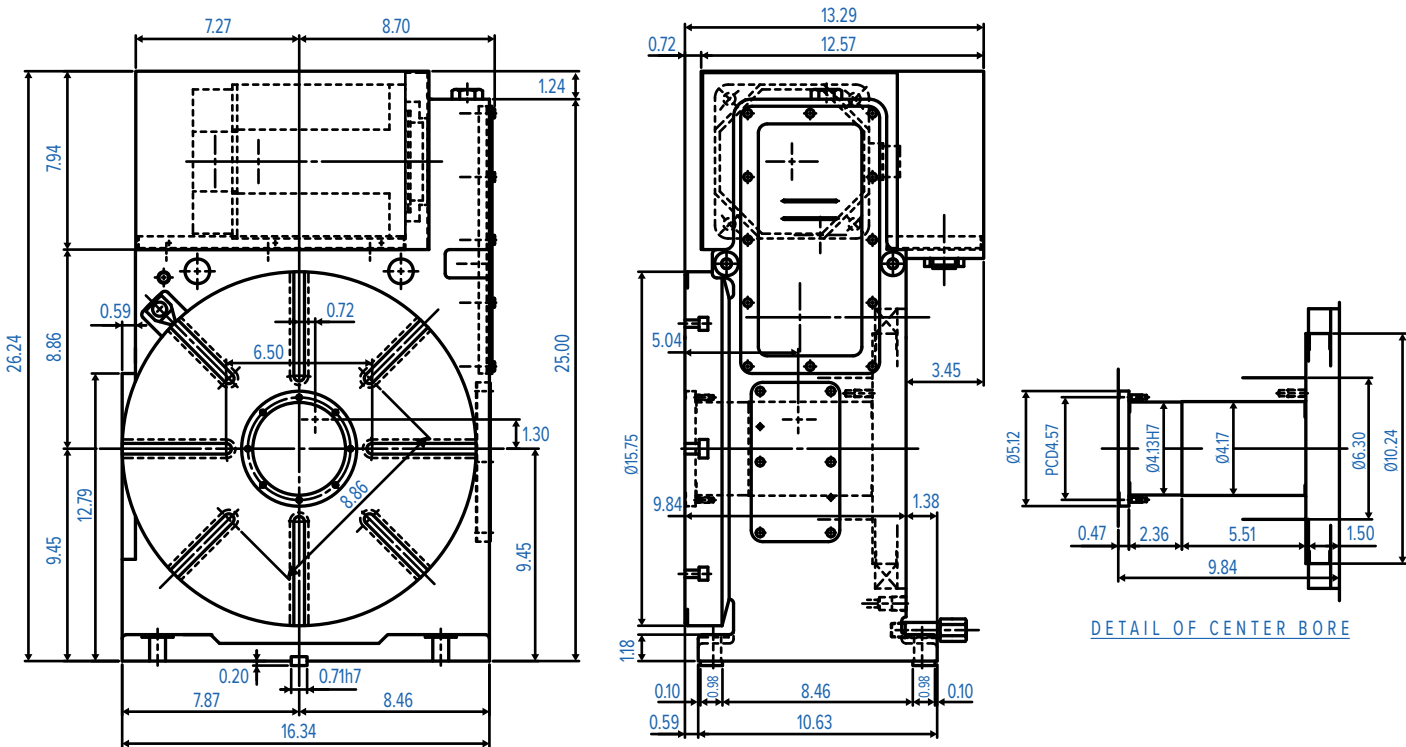
CNC601TFA-M



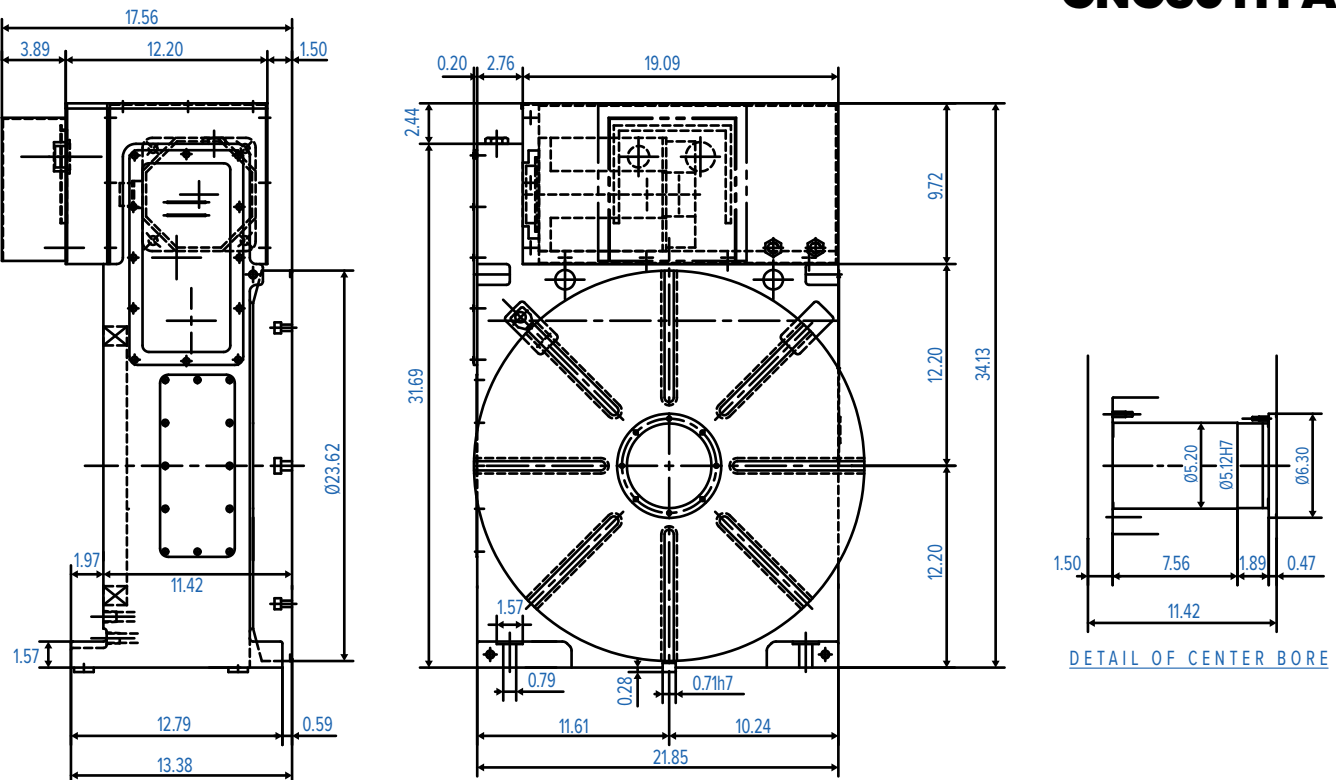
Faceplate Diameter:	23.6" (601mm)
Brake System:	HYDRAULIC
Brake Torque:	3,433 ft. lbs. (4,654.5 Nm)
Min. Increment:	0.001°
Rotation Speed (RPM):	11.1
Total Reduction Ratio:	1/180
Indexing Accuracy (sec.):	15
Net Weight:	1,157 lbs. (524.8 kg.)
Driving Torque:	673.2 ft. lbs. (912.7 Nm)
Repeatability (Arc sec.):	±4

- Swing box application available for installation onto Horizontal M/C
- To avoid interference, the drive motor is mounted on the top side of the table for horizontal machines and special purpose applications

CNC401TFA-M



CNC601TFA-M



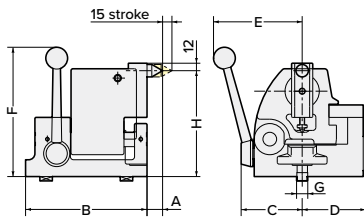
Please contact Lyndex-Nikken to confirm DN Solutions / Nikken Rotary Table working envelope. Drawings are subject to change.

ROTARY TABLE ACCESSORIES



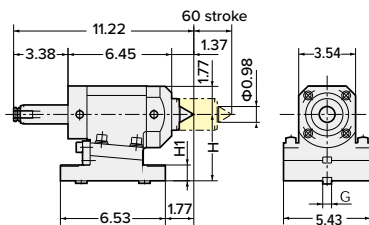
MODEL	Manual Tailstock Stroke: 0.60" (15mm)	Air/Hyd. Tailstock Stroke: 2.36" (60mm)	Support Table Built-in brake(Hyd.)	Scroll Chuck
CNC105	P-105S	PBA-105	TAT105	R-4
CNC180, CNC202, NCT200	P-125S	PBA-135	TAT170	180 = R-6 / 202 = R-7
CNC260, CNC302	P-170S	PBA-170	TAT250	R-9 / R-10 / R-12A
CNC321, CNC401	P-230S	PBA-230	TAT320	R-12B
CNC501, CNC601	P-310S	-	TAT500, TAT600	-
CNC100-2W/3W/4W	-	PBA-105-2,3,4W	-	-
CNC260B, CNC302B	P-170S	PBA-170	TAT250	R-9 / R-10 / R-12A
CNC321B, CNC401B	P-230S	PBA-230	TAT320, TAT400	R-12B
5AX-130	P-150S	PBA-150	-	R-4
5AX-201, 5AX-200II	P-170S	PBA-180	-	R-7 / R-8
NST250	P-150S	-	-	-

MANUAL TAILSTOCK



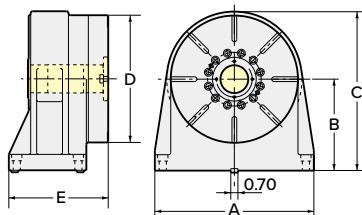
PART#	H Center Height	A	B	C	D	E	F	G	Weight (lbs.)
P-105S	4.01-4.33	1.06	5.91	2.99	2.91	4.72	7.68	0.55	22
P-125S	4.02-5.31	1.06	5.91	2.99	2.91	4.72	8.27	0.55	25.5
P-150S	5.70-6.29	0.98	7.68	3.86	4.02	5.71	8.27	0.71	48.5
P-170S	6.29-7.08	0.98	7.68	3.86	4.02	5.71	8.27	0.71	49.6
P-230S	8.66-9.44	0.98	7.68	3.86	4.02	5.71	9.84	0.71	59.5

AIR/HYD. TAILSTOCK



PART#	H Center Height	H ₁	G	Thrust (N)		Weight (lbs.)
				Air 0.5 MPa	Hyd. 2 MPa	
PBA-105	4.13	0.98	0.55	1176	4733	33
PBA-135	5.31	2.17	0.55	1176	4733	44
PBA-150	5.91	2.76	0.71	1176	4733	48.5
PBA-170	6.69	3.54	0.71	1176	4733	54
PBA-180	7.09	3.94	0.71	1176	4733	56

SUPPORT TABLE



PART#	A	B	C	D	E	Brake System	Brake Torque (ft.lbs)	Weight (lbs.)
TAT105	6.10	4.13	6.89	4.13	4.45	AIR	202.8	35
TAT170	6.10	5.31	8.66	6.69	5.43	AIR	202.8	55
TAT250	9.84	6.69	11.61	9.84	5.71	AIR/HYD.	82.6/578.2	110
TAT320	15.75	9.06	15.35	12.60	9.84	AIR	1084	264.5
TAT400	15.75	9.06	16.93	15.75	9.84	AIR	1084	308.6
TAT500	18.90	12.20	22.05	19.69	9.84	AIR	1084	441

Lyndex-Nikken is dedicated to providing not only the highest quality of equipment, but also the highest quality of service and customer care.

HOW CAN WE HELP?

Our fully equipped Service Department has over 30 years experience enabling us to offer complete and timely support for all Lyndex-Nikken products, including: CNC Rotary Tables, Live Tools & Angle Heads, Toolholders, Presetters.

We fully stock all internal components to provide expedited and cost-effective maintenance program and rebuilds.

Our comprehensive technical and repair services is here to protect your investment. Please contact us to discuss any requirements in more detail: (847) 367-4800.

IN-HOUSE SERVICES

- Fault diagnosis and repair work
- Motor fitment and CNC M/C preparation
- Cable manufacture and guard modifications
- Brake booster upgrades
- Rotary table retrofit service for installation on different machining centers
- Rotary table check-up program & preventative maintenance
- Rotary table installation
- Tool repair and calibrations
- Complete rotary table refurbishment
- Customer training and support

FREQUENTLY ASKED QUESTIONS

What is the process for sending a rotary table in for repair?

If you are an end-user, please contact your local Lyndex-Nikken distributor to obtain a RGA (Return Goods Authorization). You will need to refer the part number of your unit and what problem you are currently facing with it. Once the distributor provides you with the RGA, you can send your rotary table to our repair facility in Illinois for evaluation. We will inspect it, then quote the distributor the repair charges. If you agree to have it repaired, contact the distributor. The distributor will issue a Purchase Order to Lyndex-Nikken for the work. Inspection fee may apply. Please ship all tables in secured crate, via truck service to ensure it is properly protected.

What is the normal turnaround time for repairs?

Usually within 5-10 business days from date of receipt. Expedited service can be arranged.

What motor gear oil is recommended?

Mobil Gear 600 XP 100

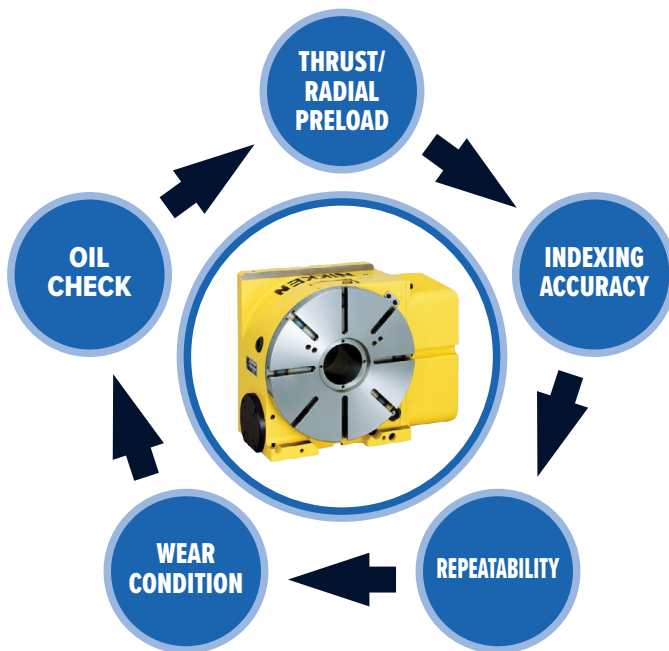
What hydraulic oil is recommended?

Mobil 1 DTE 20 Hydraulic Fluid

ROTARY TABLE CHECK-UP PROGRAM

ROTARY TABLE CHECK-UP PROGRAM

Rotary tables play a pivotal role in helping to ensure the effective and precise machining of parts. So, being proactive by performing regular maintenance on rotary tables is essential to help ensure their continued reliability, accuracy, and longevity. Neglecting maintenance can lead to decreased performance, increased downtime, and potentially costly repairs.



PROACTIVE ON-SITE ROTARY TABLE INSPECTION

Lyndex-Nikken offers a Check-Up Program that provides proactive on-site inspection of your Nikken rotary tables to help provide early detection of failure points in the manufacturing process.

A Lyndex-Nikken technician will come to your facility and evaluate your Nikken rotary tables backlash, braking system, and overall condition. We will provide you the test data of your Nikken rotary tables, review the data with you, and give recommendations to help eliminate downtime.

BY BEING PROACTIVE, HERE IS HOW YOU CAN BENEFIT:

- **Decreased Downtime:** Our scheduled maintenance checks and diagnostics help identify potential issues before they become major problems, reducing the risk of unexpected downtime.
- **Consistent Part Quality:** A properly maintained rotary table contributes to consistent part quality and maintaining the desired tolerances in the finished parts - essential for meeting customer specifications and maintaining a reliable reputation.
- **Increased Productivity:** Regular maintenance prevents costly production interruptions, enabling you to meet deadlines and fulfill customer orders without delays.
- **Extended Equipment Lifespan:** Proper care and maintenance can significantly extend the life of your CNC automation equipment, providing a higher return on investment over the long term.
- **Cost Savings:** By addressing minor wear and tear early on, you can avoid last minute expensive repairs and replacements down the line.

INCREASE CUTTING PERFORMANCE & TOOL LIFE

With the SK Collet Chuck that is lean, tough, and efficient.



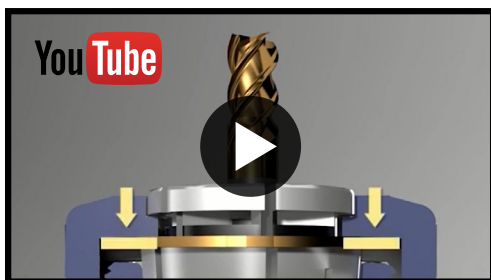
KEY FEATURES OF SK:

- **Lean:** Narrow body design allows access to tight spots.
- **Versatile:** Applicable for all milling, drilling, reaming and rigid tapping applications.
- **Flexible:** Covers sizes from 0.028" to 1".
- **Accurate:** Two times more accurate than ER Collet Chucks, within 10 times better repeatability.
- **Extremely Precise:** 0.0002" or less concentricity guarantee with on-size collets.
- **8° Versus 16° Collet Taper:** Double the gripping power over ER Collet Chucks.



The extremely hard and smooth surface (HV2,200) of the **Titanium Nitrided (TiN) Bearing Nut** allows for more thrust load on the collet while preventing additional runout associated with collet twisting - producing more even chips and a smooth surface finish.

SEE IT IN ACTION



Click on the above thumbnail to view

SCAN AND SEE FOR YOURSELF

See how the SK Collet Chuck can help you achieve the quickest ROI while achieving better finish and longer cutter life.

Not convinced? Contact us for a live demo.



DOWNLOAD THE SK CATALOG

www.lyndexnikken.com/online-catalogs



ABOUT US

At Lyndex-Nikken, we have made it our mission to provide the two most important points to keep you ahead of the competition: advanced technology and the innovation to keep it moving forward. In addition to manufacturing the best machine tool accessories available on the market, our team of highly experienced technicians and product specialists offers unmatched customer service and engineering support to our customers worldwide.



1468 Armour Boulevard | Mundelein, IL 60060
Phone: 847.367.4800 | Fax: 847.367.4815 | sales@lyndexnikken.com
lyndexnikken.com

